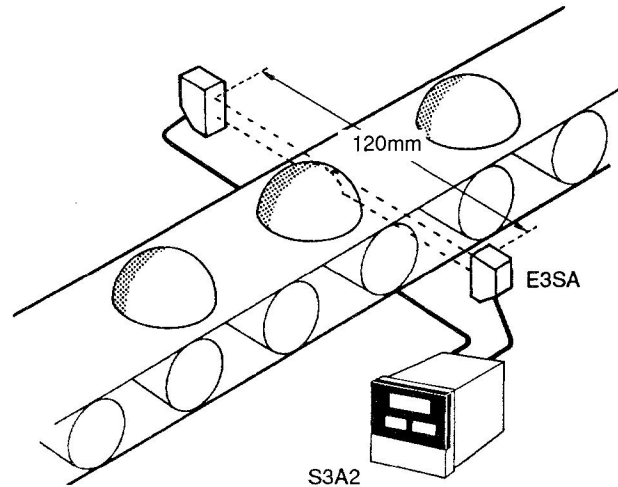
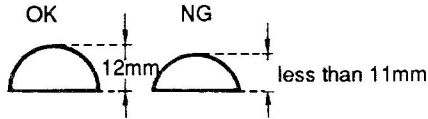


45 Bad Piece Judgement of Chocolate

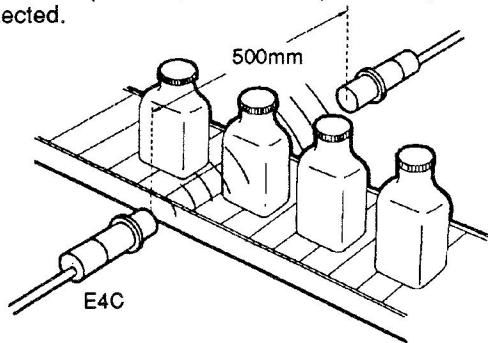
With the use of an analog sensor the presence, or absence, of an almond in a chocolate can be detected. To increase sensitivity a 1-mm slit is used.



Detection Subject: Chocolate
 Analog Photoelectric Sensor E3SA
 Linear Sensor Controller S3A2

46 Transparent Bottle/Pet Container Detection

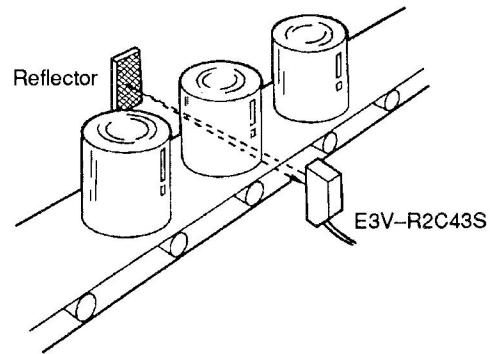
The sensor is not affected by the color, translucency, or material (metallic, non-metallic) of the object being detected.



Detection Subject: Transparent Bottle/Pet Containers
 Ultrasonic Proximity Switch E4C

47 Mirrored Surface Detection

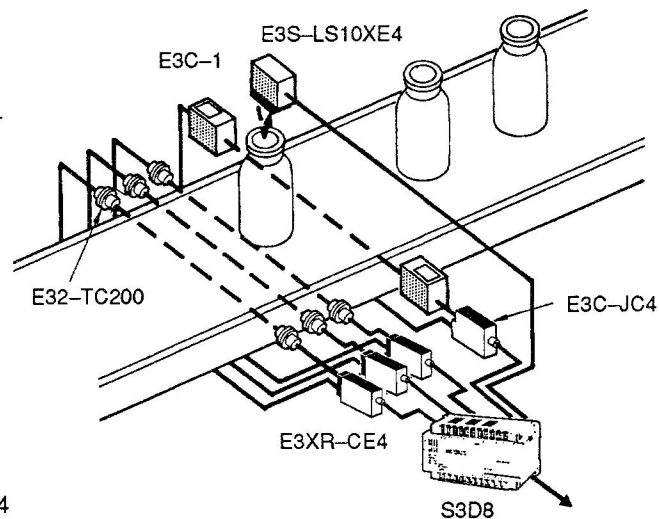
Using a MSR mirror, surface items are accurately and consistently detected.



Photoelectric Switch E3V-R2C43S

48 Milk Bottle Cap and Volume Inspection

Since there are three different shapes of milk bottles, synch is achieved for each type. Bottle cap and contents judgement is performed with one sensor controller.



Fiber Optic Photoelectric Switch E32-TC200/E3XR
 Photoelectric Switch E3C-1
 Limited Reflection Photoelectric Switch E3S-LS10XE4
 Sensor Controller S3D8